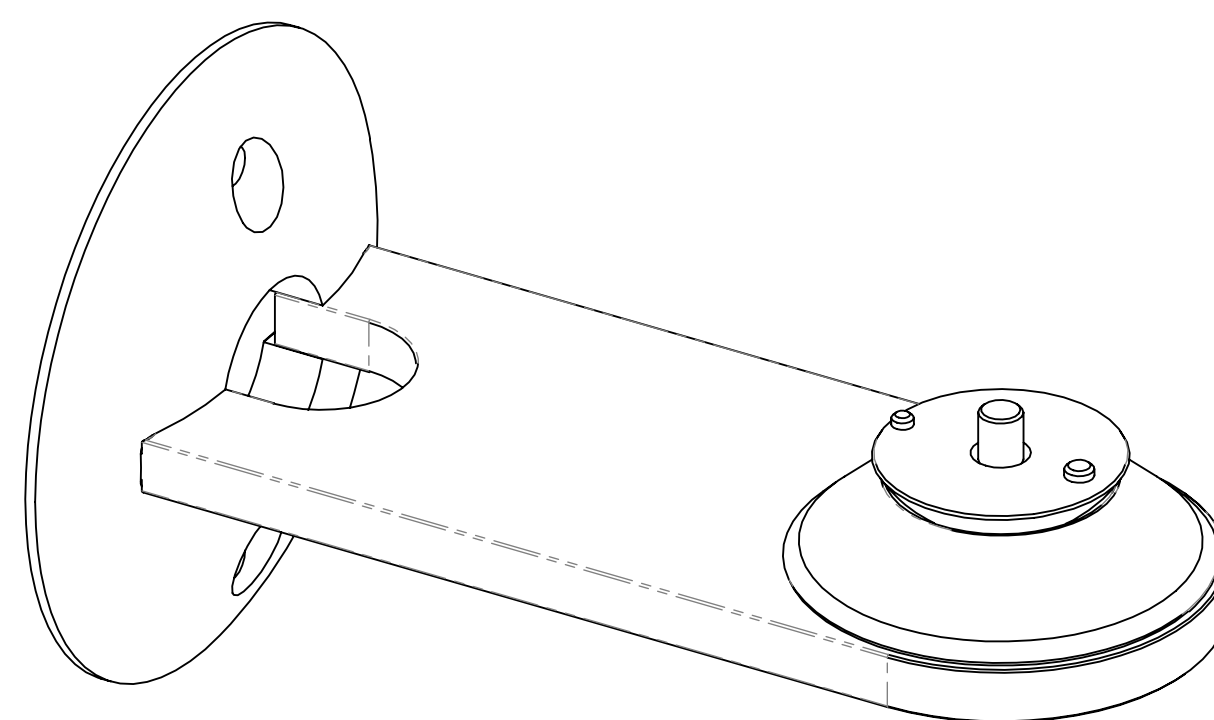
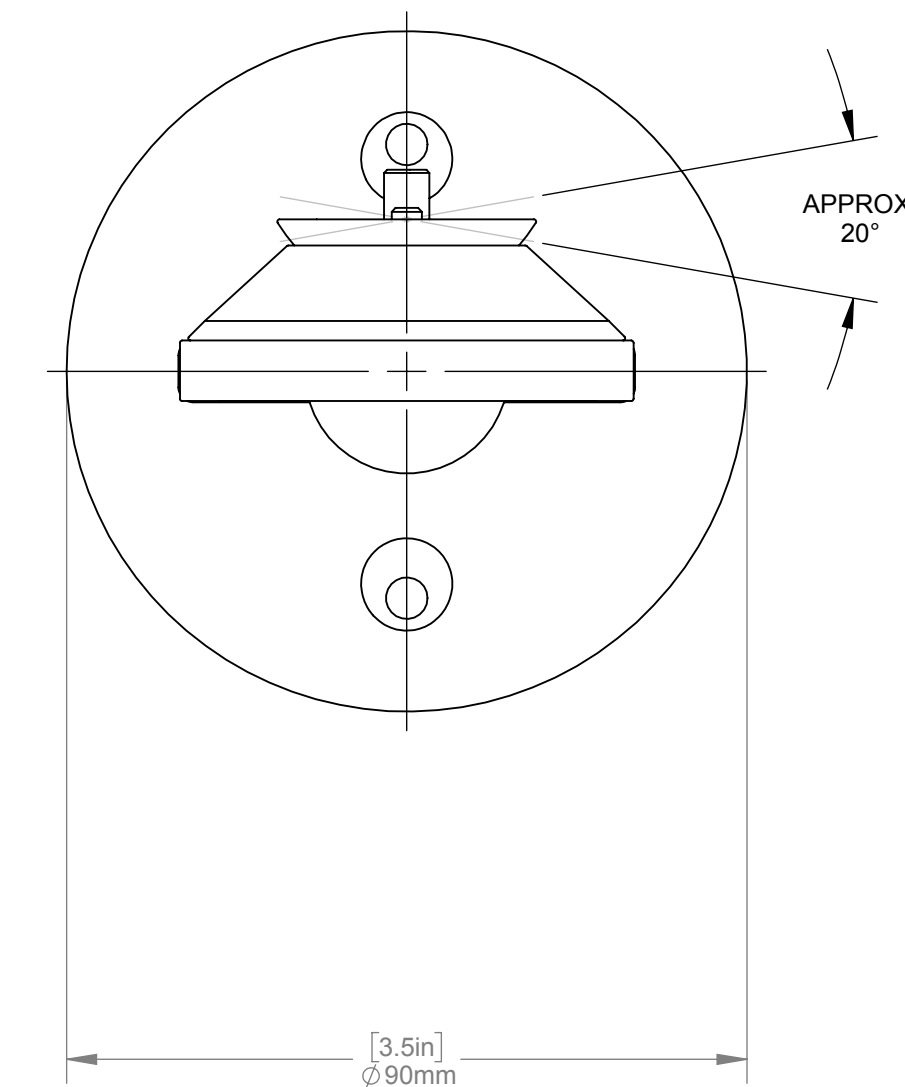
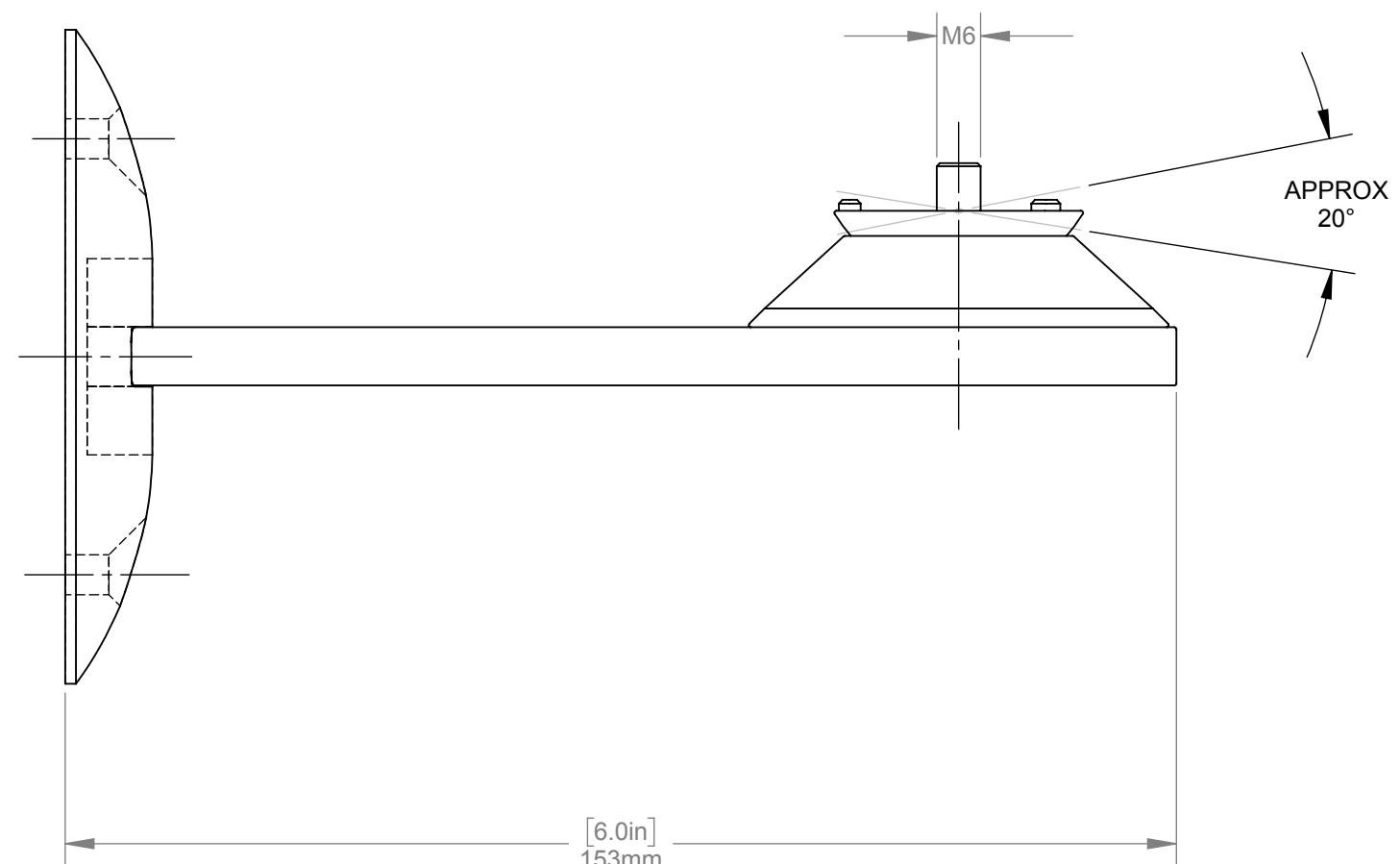
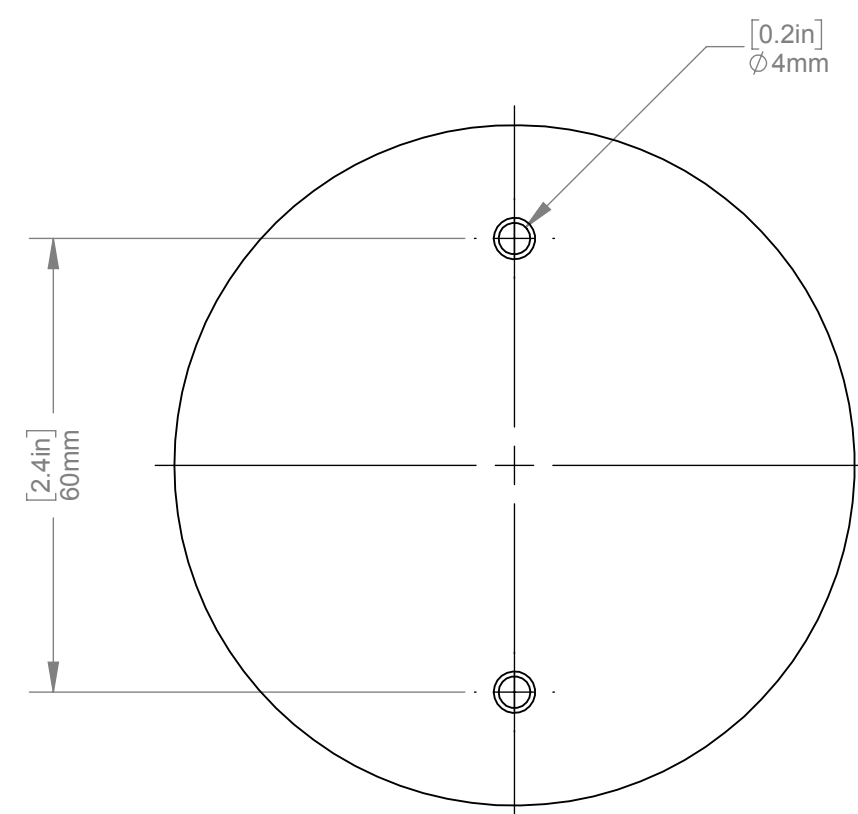
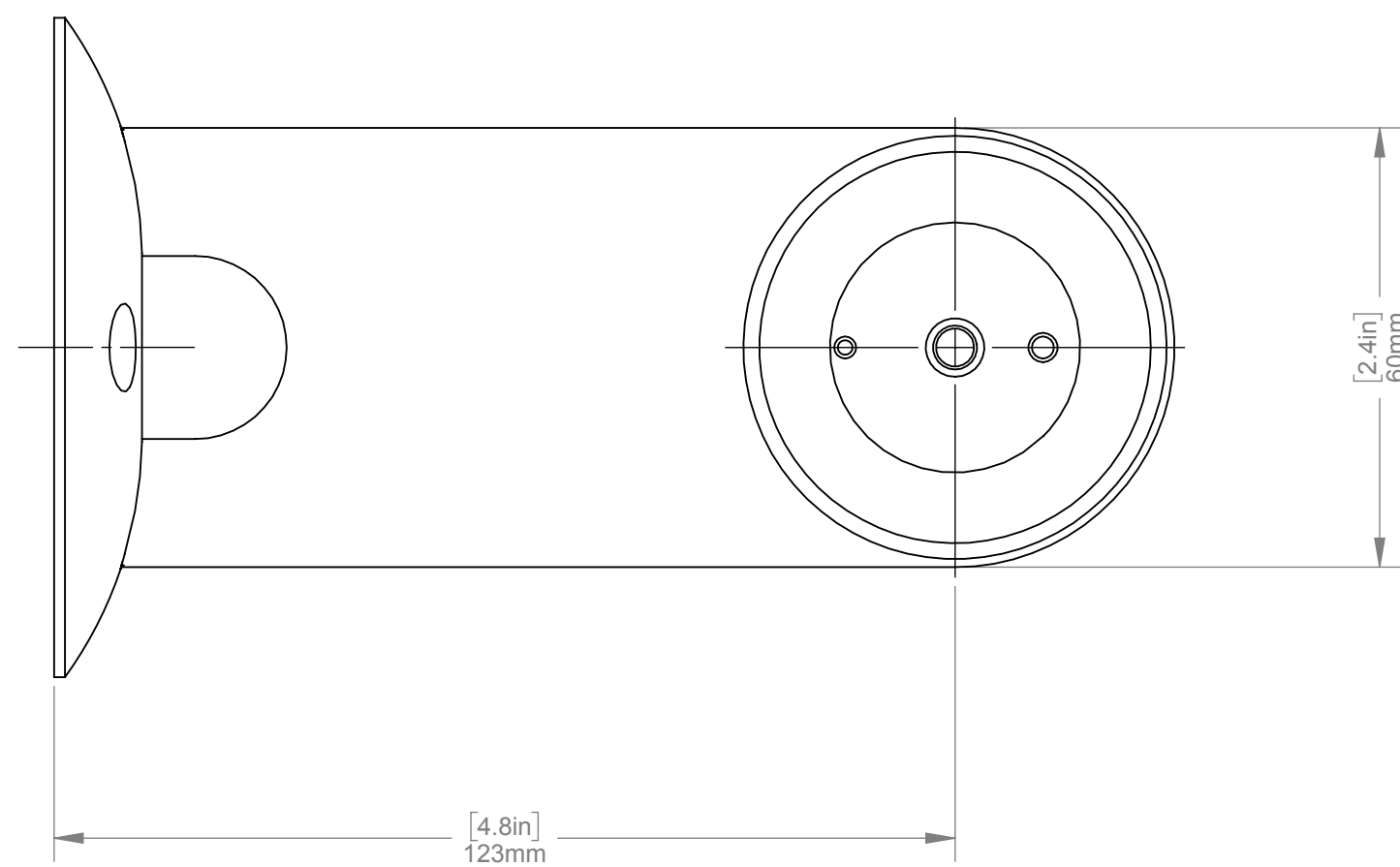


ECO NR.	DATE	CHG.	ZONE	DESCRIPTION OF CHANGE	REL.	DR.	CHK.
--	--	--	--	--	--	--	--
--	--	--	--	--	--	--	--
--	--	--	--	--	--	--	--
--	--	--	--	--	--	--	--



<b>ARCAM</b> <small>LINEAR TOLERANCE: ±0.2MM UNLESS OTHERWISE STATED</small> <small>ANGULAR TOLERANCE: ±1° UNLESS OTHERWISE STATED</small>	<small>A &amp; R CAMBRIDGE LTD</small> <small>ALL DIMENSIONS IN MILLIMETERS UNLESS OTHERWISE STATED</small>	<small>DRAWN BY:</small> MCM	<small>DATE:</small> 11-8-2016
		<small>CHECKED BY:</small> NC	<small>ORIGINAL SCALE:</small> 1:1
<small>MATERIAL:</small>		<small>FINISH:</small>	
<small>PART NUMBER AND DRAWING NUMBER</small> <b>MUSO WALL BRACKET</b>		<small>SHT. 1 OF 1</small>	
<small>DRAWING TITLE</small> <b>MUSO WALL BRACKET ASSEMBLY</b>			

